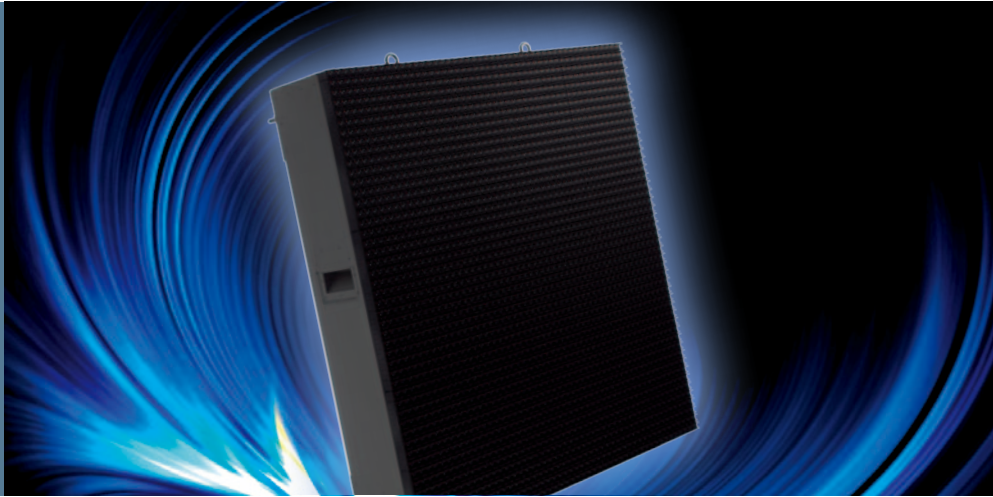


TF-20

All conditions, outdoor 20mm LED tile



Key features

- 7,200 nits brightness
- 4,000:1 contrast ratio
- 16-bit color processing
- System Color Signature
- 100,000-hour lifetime
- Field-replaceable shaders
- Tilted LED configuration
- PFC, RoHS and EMC
- Wide operating temp.

With TF-20, Barco has done it again—a superior LED tile that exceeds industry expectations in all essential categories, featuring:

- Revolutionary LED innovation
- World-class image processing
- Environmental responsibility
- Countless applications

An industry leader in high-tech electronics for 75 years, Barco maintains its commitment to the LED market by investing 10% of revenue annually back into R&D, delivering advanced features and robust solutions.

BARCO

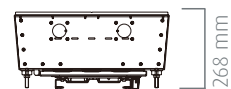
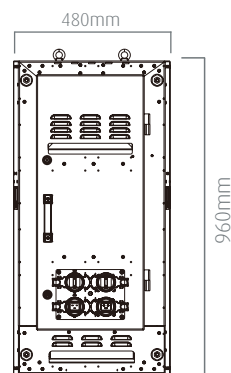
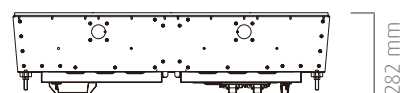
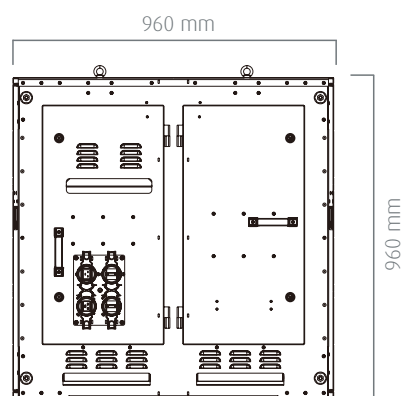
Visibly yours

TF-20 specifications

	TF-20 (full)	TF-20 (half)
Pixel pitch	20 mm	
Typical brightness (calibrated)	7,200 nits ¹	
LED configuration	1R, 1G, 1B	
Pixel density	2,304/tile (48x48)	1,152/tile (48x24)
Viewing angle (horizontal)	120° (min. 50% brightness)	
Viewing angle (vertical)	-15° (from above)/+45° (from below)	
Contrast ratio	4,000:1	
Power consumption/m ²		
• max	400 watts	
• average	120 watts	
Minimum radius (convex)	9.65 m	6.90 m
Color processing	16-bit/color	
Colors	281 trillion	
Refresh rate	800 Hz	
Temperature		
• operating	-35° C to 50° C (-31° F to 122° F)	
• storage	-35° C to 50° C (-31° F to 122° F)	
Humidity		
• operating	10 to 99%	
• storage	10 to 99%	
Weight/tile	48 kg (106 lbs)	38 kg (84 lbs)
Lifetime	100,000 hours	
Dimensions (HxMxD)	960 mm x 960 mm x 282 mm	480 mm x 960 mm x 268 mm
Serviceability	Front/back access ²	
Ruggedness		
• front	IP65	
• back	IP54	
Reference number		
• front access	R9004816	R9004814
• back access	R9004817	R9004815
Certification	UL/ETL, CE, FCC Class A, RoHS, CCC, CETL	

¹ Perpendicular to the display

² Front or back, to be specified at order



July 2009

While the information and data given are typical for the equipment described, product specifications are subject to change without notice. The latest version of this product sheet can be found at www.barco.com.

Belgium
Noordlaan 5
8520 Kuurne
Tel: +32 56 36 80 47
Fax: +32 56 36 83 86
sales.media@barco.com

United States
11101 Trade Center Drive
Rancho Cordova, CA 95670
Tel: +1 888 414-7226
Fax: +1 916 859-2515
salesusa@barco.com

Asia Pacific
No. 16 Changsheng Road
Changping Dist., Beijing, PRC, 102200
Tel: +86 10 8010 1166
Fax: +86 10 8970 9812
marketing.media@barco.com

BARCO

Visibly yours