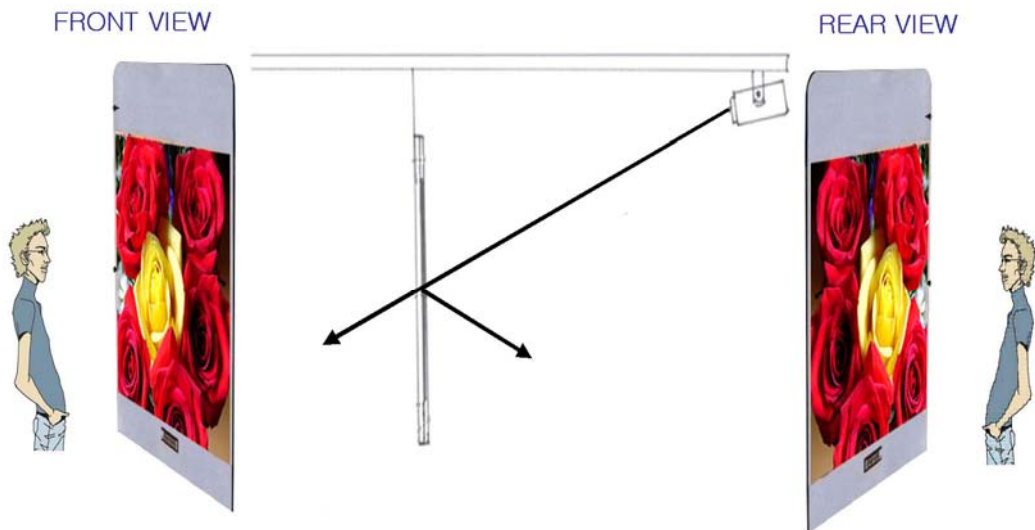


# Dupic Screen !

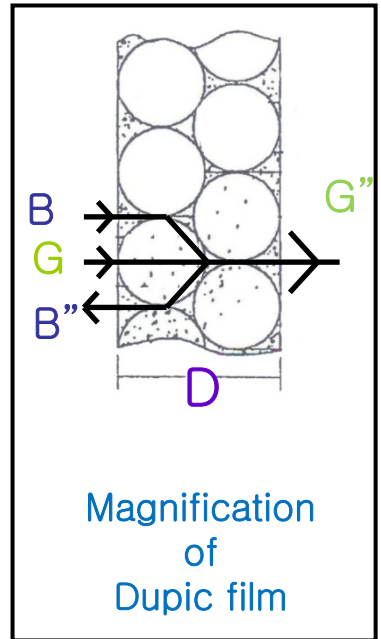
Same Brightness image on both sides  
(Dupic I & Dupic II)



Displays the Same Brightness Image on both sides! (Front and Rear)  
The effect of using Two projectors with one projector  
High resolution with 180-degree viewing angle  
with no hot spot.

## Technical note

- A film screen with 2 times improved refractive index
- Fiber optics powdered surface at the molecular level with nano-technology
- This film with 2 times improved refractive index makes the image refracted equally (1:1) from a projector on both directions. The 50% of the projection light (G) goes through the film (D) to the other side (G → G'') And the rest of the light (B) is refracted in the inside of the film and bounds back to the projected direction (B → B'')
- Same high resolution, wide viewing angle (180 degrees) , and no hot spot on both refracted image and transmitted image.



## Features

- Perfect color reproduction of images on both sides
- High contrast of images on both sides
- No hot spot (uniformity of brightness)
- 180 degree-viewing angles (vertical and horizontal)
- HD Level of resolution acceptable
- Water washable
- Optical fiber film screen with high refractive index

### Warning !!!!!

Dupic (Dual )screen is protected by patents worldwide.

Any person making, using, selling or importing product without mocomtech's permission, will be subject to an injunction, liable for damages, and can be sued for infringement.

# Applications of Dupic 1

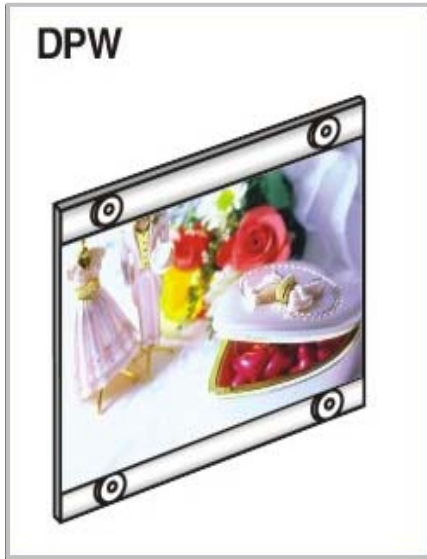
- Malls, show-windows, Event/exhibition halls, Bars, restaurants,
- hotel lobbies, Airports, terminals, Home theaters etc.



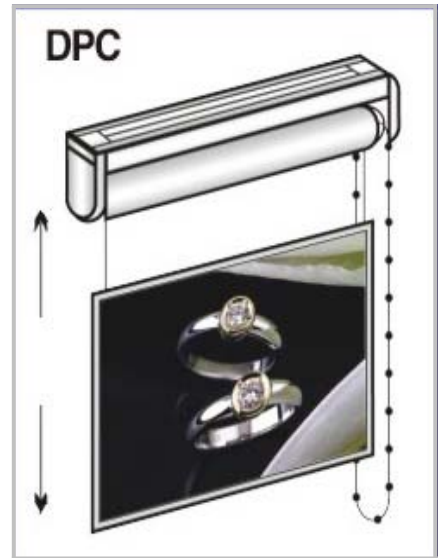
Applied Dupic on the glass of shops

# Models of Dupic II

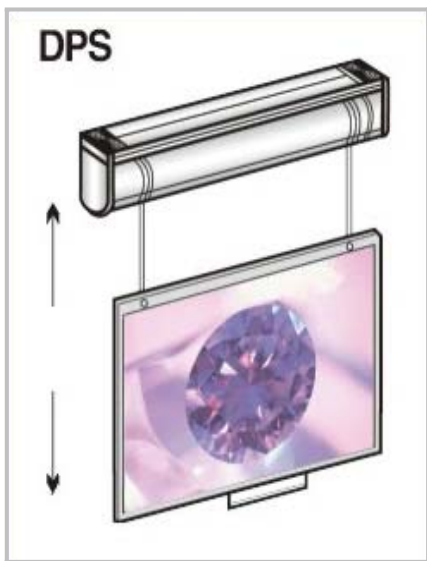
Size 30" ~ 80"



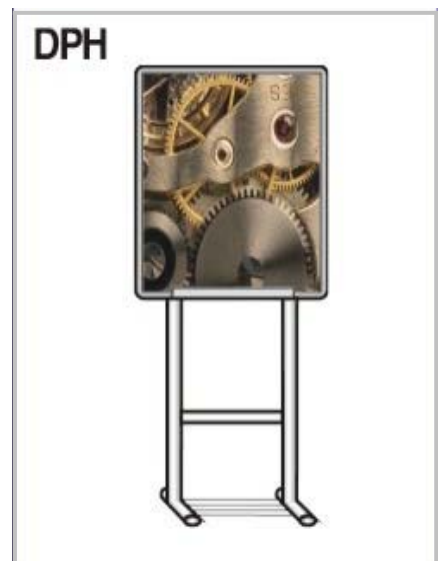
Window Hard Type



Chain Hard Type



Spring Hard Type



Stand Hard Type

# Who is Mocomtech?

## International credits for Mocomtech technology

### President prizes of S. Korea



### Innovation awards of C.E.S & CEDIA member



- The largest screen manufacturer in Asia (Established in 1953)
- Won the CES Innovation Awards three times in 2002, 2003, 2004.
- Won Korea President Prizes twice in 1999, 2001.
- Has over 250 patents in US, UK, Japan, China, France, Germany, India etc.

### U. S. A.



### U. K.



### Winning plaques & trophies



### Japan



### China



### India



### Korea



Marketing center, S. Korea



The 1st factory & its testing facilities, S. Korea



Land for US factory, CA



US Sales center, LA



**Mocomtech Co., Ltd** ([www.mocomtech.com](http://www.mocomtech.com))

Head office : Mocom Bldg. 604-10 Gongneung-dong, Nowon-gu, Seoul, S. Korea 139-808

Phone : 82-2-739-9968 Fax : 82-2-739-9971

E-mail : [mocom@mocomtech.com](mailto:mocom@mocomtech.com)

US Office : 2424 Clayton North Las Vegas, NV 89108, U.S.A